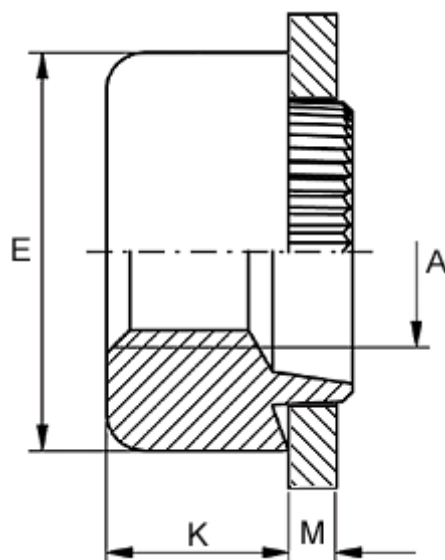


Article number: 12725000040500
Description: KLEE-coil 725 000 040.500
M4 Stainless 1.4305

Measures



Female thread A	= M4
Height K	= 3.0
Outer diameter E	= 7.0
Plate thickness	= 1.1 to 1.3
Recommended bore diameter +0.05	= 6.0